

Conveyor Belt Misalignment Switch

MAS

Leaflet No. **Kiepe 385**



APPLICATION

With the new belt misalignment switch MAS, Kiepe complements the existing range of devices by an innovative and reliable product of outstanding quality.

Constructed from fibre reinforced plastic and stainless steel the new switch, being resistant to ammonia can successfully operate in extreme and harsh environments such as salt mines, composting, recycling plants as well as port and harbour areas.

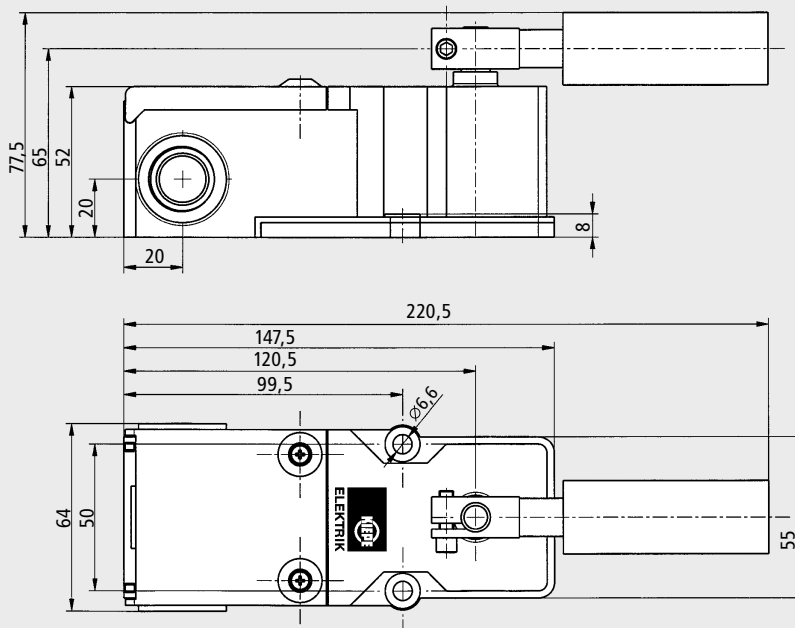
Standard features include two self cleaning switching elements which qualify the switch to be used for the classic relay circuits and cable signalling devices such as field buses.

TECHNICAL DATA

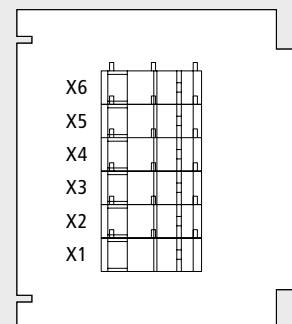
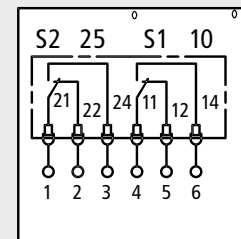
Device complies with	EN 60947-5-1 EN 60204 EN 620 VDE 0110 - degree of pollution: 2 (interior), 4 (exterior)
Housing	Ultramid A3EG5 (PA, fibre reinforced)
Mounting	By means of two M6 bolts
Cable entry	3 x M25 x 1,5
Protection	IP 65 according to EN 60529
Rated insulation voltage U_i	AC 250 V
Ambient temperature	-25 °C ... +70 °C
Switching system	2 self cleaning changeover contacts
Switching points	10° and 25°
Excursion	90° max.
Conventional thermal current I_{th}	6 A
Switching capacity	AC-15: AC 230 V/1,5 A DC-13: DC 60 V/0,5 A
Connections	2,5 mm ² max.
Mounting position	Any
Maintenance	Free

Note: The devices may be used in control circuits only!

DIMENSIONS



Connector strips



Subject to change without notice.