

Belt Conveyor Pull Wire Emergency Cut-Out Switch

LRS

Leaflet No. Kiepe 301



APPLICATION

It is necessary to be able to stop a conveyor at any point where a hazard may arise.

Kiepe Pull Wire Emergency Cut-Out Switches, as well as the accessories, meet every requirement for Conveyor Emergency Cut-Out Switches in accordance with the regulations for the prevention of accidents (BGI 710). The devices are also suitable for use on machine tools and processing equipment.

OPERATION

The Kiepe Pull Wire Emergency Cut-Out Switches are actuated by a plastic coated steel wire rope placed alongside the conveyor. Pulling on the rope at any point or pressing the red push button will trip and automatically lock the switches, de-energizing the conveyor starter contactor. The length of the rope may be up to 20 meters.

After tripping, the mechanical latch can be released only on the switch. On operation, the contacts are opened by a cam thus overcoming any partial welding of the contact material should arcing occur.

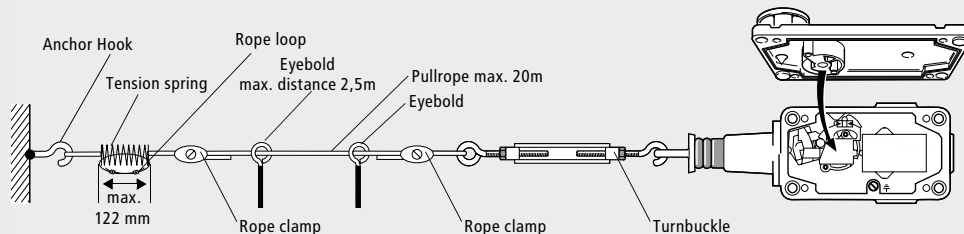
Pull Wire Emergency Cut-Out Switches may only be used in control circuits.

TECHNICAL DATA

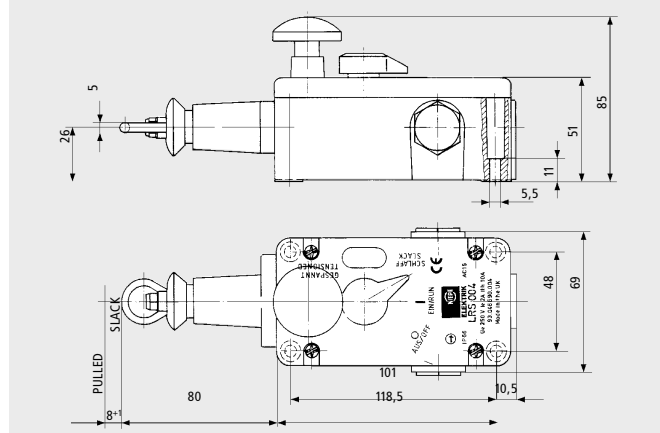
Device complies with	EN 60947-5-1, EN ISO 13850, VDE 0110, degree of pollution: 2 (interior), 4 (exterior) BGI 710
Enclosure	Cast aluminium alloy ALSi12
Finish	Housing yellow, RAL 1004, push button red, RAL 3000, reset lever blue, RAL 5010
Fixing	4 x M5
Conduit entries	3 x M20 x 1,5
Protection	IP 66 according to EN 60529
Grounding	Inside the housing M4
Ambient temperature	-25°C ... +70°C
Switching system	Cam-operated switching elements, positiv making! 2 NC/1 NO
Breaking capacity I_e/U_e	2 A/AC 250 V
Utilization categorie	AC 15
Conventional thermal current I_{th}	10 A
Rated insulation voltage	AC 250 V
Mounting position	Any
Ordering code	93.046 690.004

Note: This device may be used in control circuits only!

DRAWING INSTALLATION



DIMENSIONS



Subject to change without notice.

CONTACT ARRANGEMENTS

11		12
Safety Contact		
21		22
Safety Contact		
33		34
Auxiliary Contact		